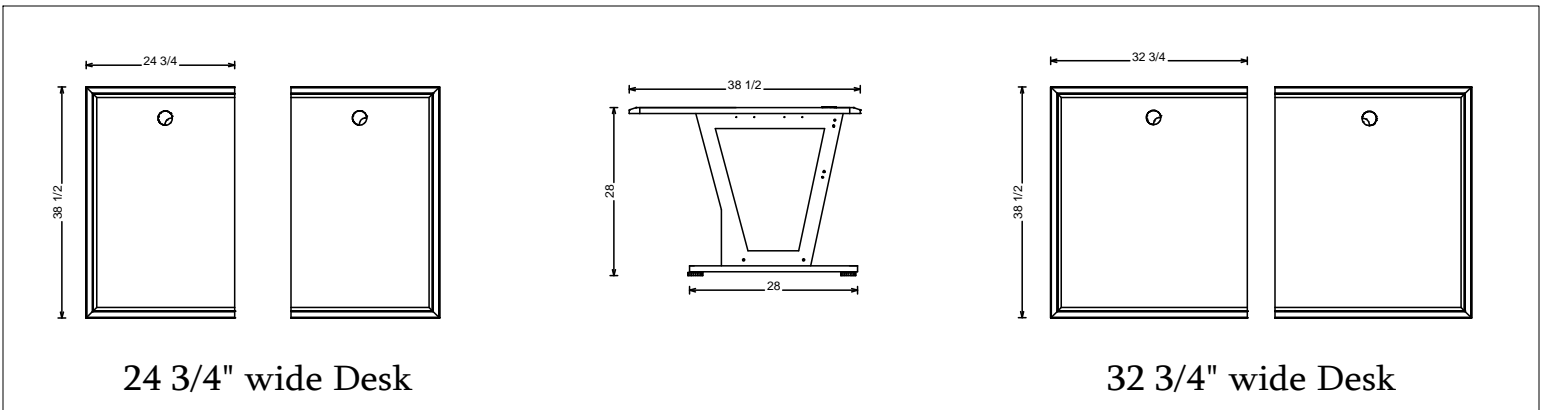


Audio Console Producer Desks for *Sterling Modular Consoles*



24 3/4" wide Desk

32 3/4" wide Desk

The Producers Desk is the newest addition to our line of exceptional Audio Furniture.
 There are 2 stock sizes, 24 3/4" wide, and 32 3/4" wide, (which is designed with enough space to accommodate our Face-Up Rack).
 The surface finishes, colors, hardwood trim, and leg profiles are designed to match perfectly with our full line of "Plan Series" Consoles and Conversion Consoles.
 The desk includes a convenient wire grommet.

As with ALL of our products, the Producers Desk is designed to have a minimal acoustical impact on your studio environment.

Custom sizes and configurations are available.

Free Shipping
within the contiguous US

Price List

Producers desk 24-3/4".....	\$699.00
Producers desk 32-3/4".....	\$749.00
Standard "Red Oak" hardwood edge..Included	
Natural Maple.....	\$ 29.00
Natural (Sapele)Mahogany.....	\$ 39.00
African Rosewood (Bubinga).....	\$ 49.00

Please specify right or left side.

Sterling Modular Systems,inc
 704 East 4th Street, Boyertown PA 19512
 610-369-5802
 www.sterlingmodular.com

