

# DAW / LCD Stand

*From* Sterling Modular Systems



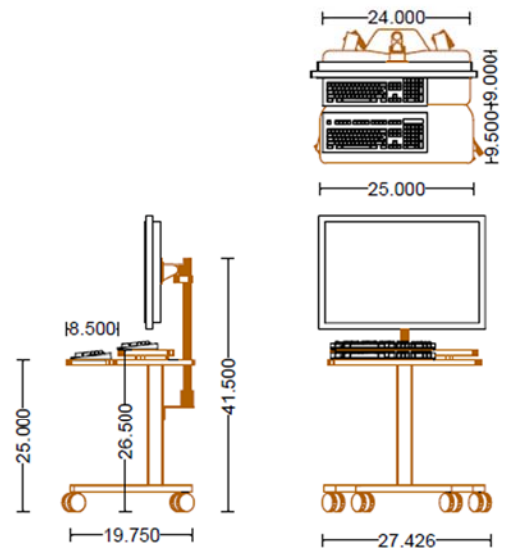
We have redesigned our DAW / LCD stand to be more functional, more attractive, and less expensive.

In order to keep costs down, we redesigned the lcd mounting system, (without compromising on the quality), and we offer the stand with casters only.

We made the lower keyboard shelf wider (25") and deeper (9-1/2"). The shelf edges are now covered with a more attractive and durable rubber edging.

The stand is still supported by a welded steel base that is coated with a durable texture finish.

The Heavy duty LCD assembly allows the monitor(s) to be raised and lowered, and also allows the monitor to pivot up, down, and side to side. The Dual monitor arm assembly can easily hold up to 2 - 19" Cinema displays. The single LCD configuration easily holds a 30" Apple (or other) Cinema



Single - Non Articulating	\$699.00
Dual - Non Articulating	\$869.00
Single - Articulating	\$799.00
Dual - Articulating	\$899.00

*Free Shipping*  
within the contiguous United States

Sterling Modular Systems, Inc  
704 East 4th Street Boyertown, PA 19512  
610-369-5802  
www.sterlingmodular.com

