

# Rupert Neve Designs 5088

## "Pro Series" Console Accessories

By Sterling Modular Systems

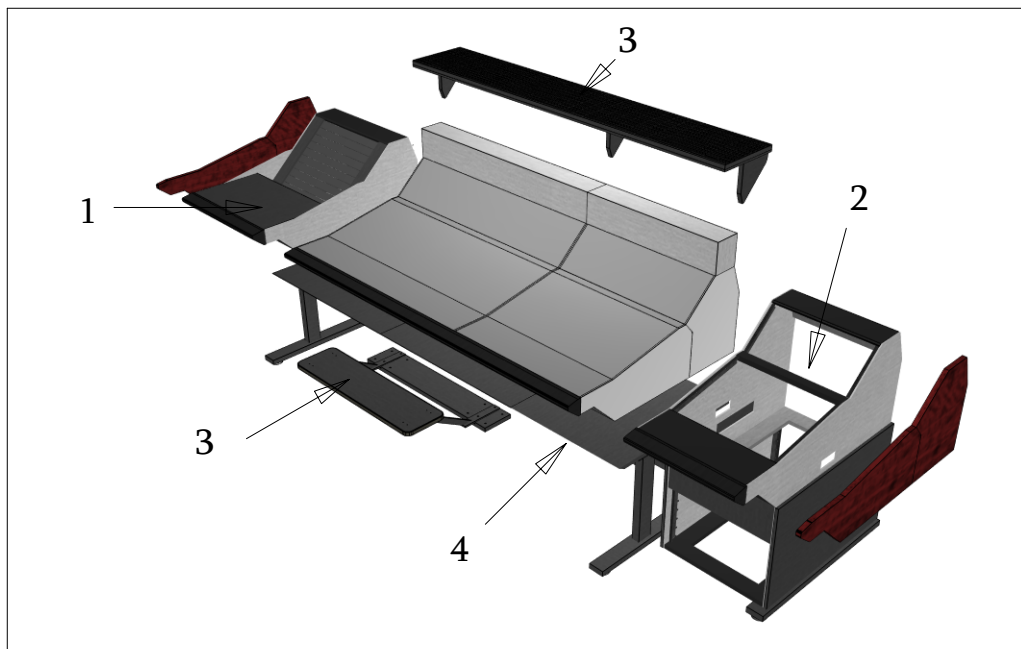


*Everything you could possibly need to Pimp your 5088*

A complete line of accessories to make the 5088 operate ergonomically and flawlessly in your studio.

All of the accessories and components are designed and fabricated to match the 5088 and achieve a "from the factory" appearance.

- 1) Buckets.....Page 2
- 2) Patchbays.....Page 3
- 3) Speaker Bridge / Kbd tray..Page 4
- 4) Steel Stand / Legset.....Page 5



# Rupert Neve Designs 5088

## "Pro Series" Console Accessories

By Sterling Modular Systems

### Console Buckets

Pro Series Console Buckets are designed to provide you with a number of configurations for racking of electronics or patchbays as well as various sizes of writing surfaces, producer desks and DAWs. They are shipped complete with padded bolsters that match the 5088.

As always, our design team is available to provide advice, and if needed, help you to create the custom solution that meets your specific application and needs.

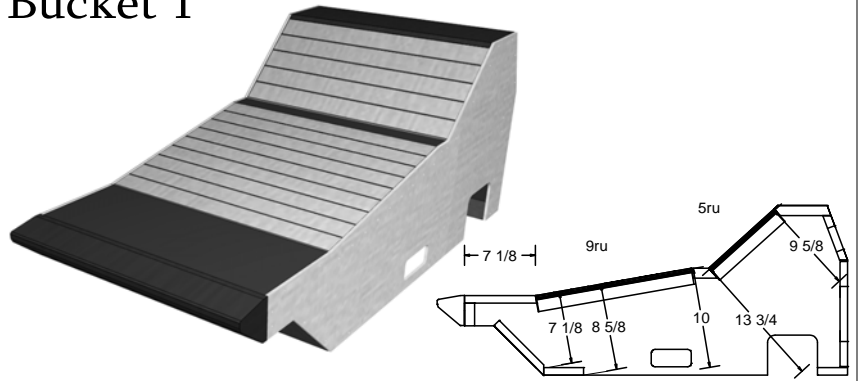
Shown here are only a few of the possibilities.

Buckets 1,2 and 3 are priced at \$2195.00 each.

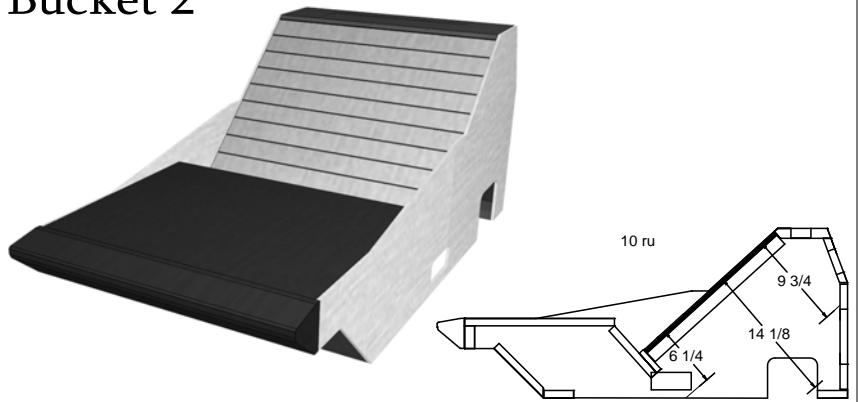
Bucket price does not include shipping. Extension of support stand to accomodate the bucket is additional.

Please call us for more information.

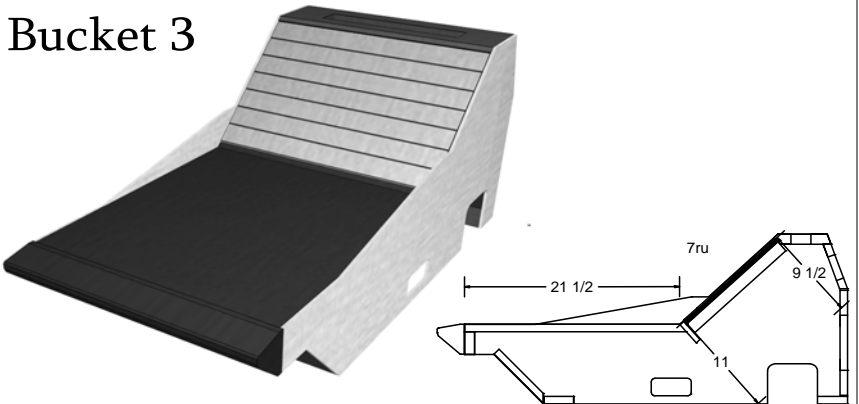
Bucket 1



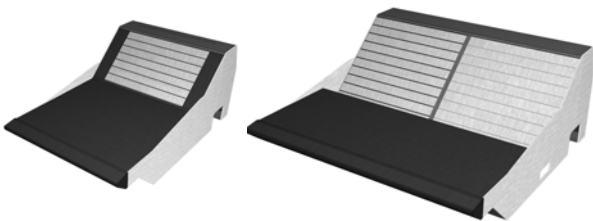
Bucket 2



Bucket 3



Shown below, are 2 examples of custom configurations. Bucket width can be changed to accommodate any gear requirements.



Sterling Modular Systems,inc  
704 East 4th Street, Boyertown PA 19512  
610-369-5802  
www.sterlingmodular.com



# Rupert Neve Designs - 5088

## "Pro Series" Console Accessories

By Sterling Modular Systems

### Patchbays

The patchbay cabinets are a perfect fit for the 5088 series consoles. The sides are 1/4" aluminum and profiled to match the shape of the 5088 to give a seamless factory appearance.

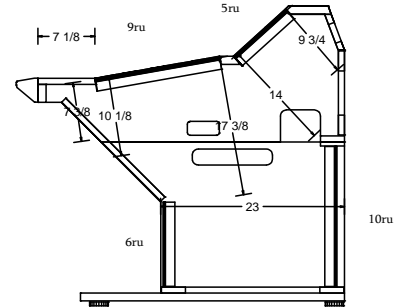
They are pre-drilled to bolt directly to the 5088 frame. The hardwood trim is removed from the RND 5088, then secured to the outside of our cabinet.

All other visible parts are black laminate or finished with a durable black texture coating

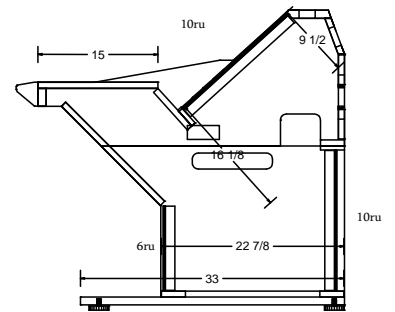
The padded bolster is black leather and matches the 5088 bolster.

These cabinets provide additional rack space to mount converters, power supplies or connector panels. A vented, removeable rear access panel is provided.

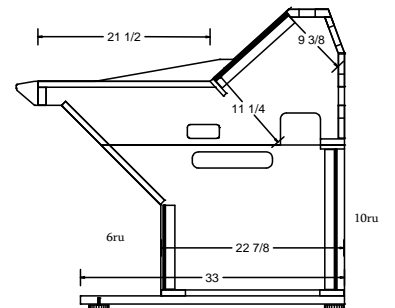
Patchbay -1



Patchbay -2



Patchbay -3



Patchbay 1,2 and 3  
\$2679.00 each.  
Shipping not included

All rack rail is included.  
Rack blanks are not included

Sterling Modular Systems,inc  
704 East 4th Street, Boyertown PA 19512  
610-369-5802  
www.sterlingmodular.com



# Rupert Neve Designs 5088

## "Pro Series" Console Accessories

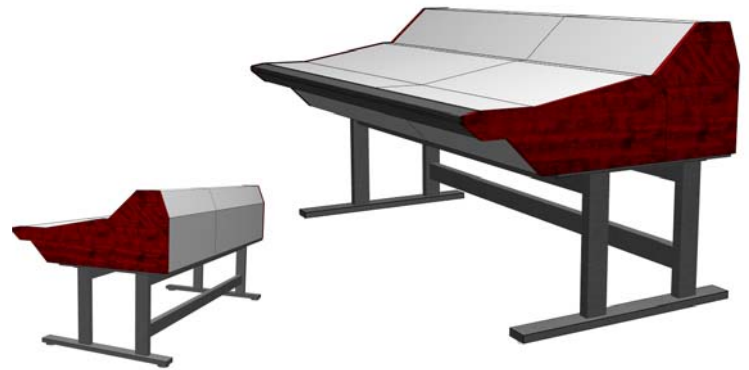
By Sterling Modular Systems

### Steel Stand / Legset

5088 with Penthouse



5088 with Penthouse and expansion



The Sterling Modular "Steel Frame" Legset is designed to provide worry free stability for the 5088 consoles and the expansion options. All frame components are steel with welded 1/4" thick connector plates that are pre-tapped for easy assembly. All components are coated with a durable "black" texture finish. Heavy Duty 2 1/2" levelers are included. The console "platform" is fabricated with 3/4" thick melamine coated MCP with black texture paint coating all edges. This product ships in two cartons and requires assembly.



- 5088 .....\$1159.00
- 5088 w/ expansion.....\$1259.00
- 5088 w/ Penthouse.....\$1299.00
- 5088 w/ Penthouse&Expansion...\$1549.00

5088 without Penthouse



Prices for legset/stands for consoles with custom buckets will vary depending on the complete console configuration.

*Please call for more information and shipping cost*

Sterling Modular Systems,inc  
 704 East 4th Street, Boyertown PA 19512  
 610-369-5802  
 www.sterlingmodular.com

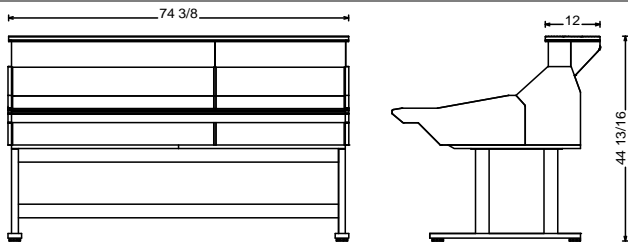


# Rupert Neve Designs 5088

## "Pro Series" Console Accessories

By Sterling Modular Systems

### Speaker Bridge / Keyboard Tray



The Speaker Bridge for the 5088 is specifically designed to sit "in place" on top of the meter bridge without the need for any screws.

The bridge is fabricated with 3/4" MCP/MDF components to reduce acoustical resonance.

The top surface is covered with 1/8" thick ribbed rubber to reduce resonance and minimize vibration.

The edge surface is finished with a PVC plastic band. All other surfaces are coated with a durable texture finish.

Some assembly is required.

#### List Price

5088 Speaker Bridge \$635.00

5088 W/ Expansion \$759.00

Price will vary depending on addition of buckets (page 1)



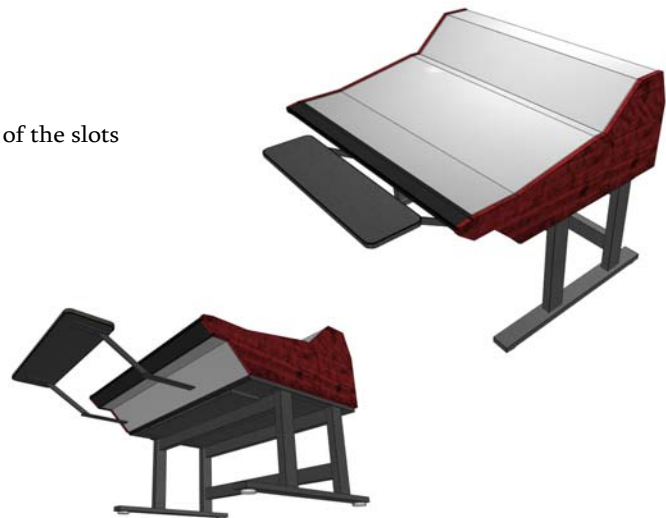
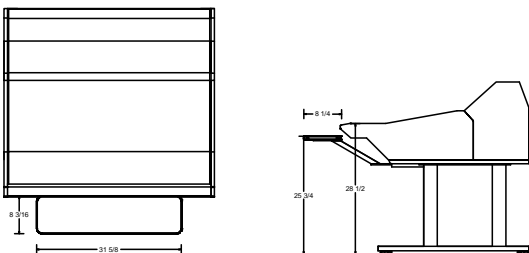
### Keyboard Tray

The keyboard tray is supported with 2 welded steel brackets.

The tray surface is 8" x 31"

It is not retractable, but can be removed by sliding the assembly out of the slots provided in the support base. (fig 2).

List Price \$349.00



Sterling Modular Systems,inc  
704 East 4th Street, Boyertown PA 19512  
610-369-5802  
www.sterlingmodular.com

