

WK Audio ID-Mix / Plan D



Mixer Conversion Console

All of our "Mixer Conversion" consoles are designed with the same modular components as our "Plan Series" consoles.

The low profile, angular shape, and open architecture insure the lowest possible acoustical impact.

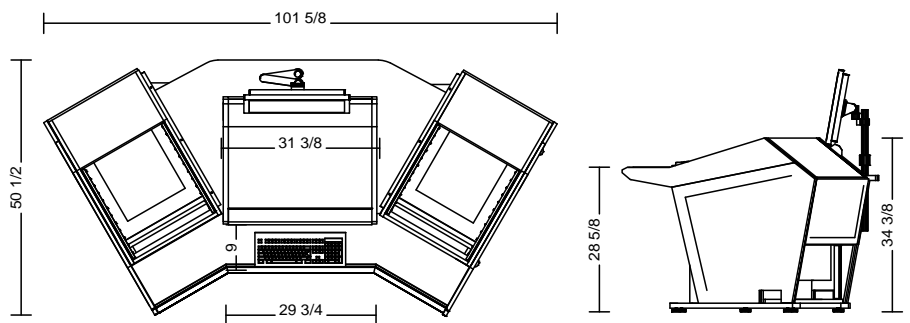
The ergonomic design, equipment capacity and superior "fit and finish" make it the perfect console for your studio.

Each of the (2) outer "rack pods" feature 12ru of space on the top opening, 6ru on the front and 6ru on the rear of the lower section.

Available Options Include

- Articulating (pole style) LCD Arm
- Radial (gas assist) LCD Arm
- Speaker Platform 7" x 14"
- Speaker Platform 11" x 19"
- Red Oak Hardwood Trim (standard)
- Natural Maple Hardwood Trim
- Natural Mahogany Hardwood Trim
- Natural Bubinga (African Rosewood)
- Natural Bamboo Trim
- Padded Bolster
- Matching Side Desks

Please call for more information



List Price \$3889.00

Not including Optional Speaker Platforms and LCD Arm
Other Options and configurations are available Please Call

Free Shipping
within the contiguous United States